

- ◆ Real time detecting environment ozone gas
- ◆ Temperature & Humidity detection
- ◆ Wall mount with LCD display
- ◆ Provide one on/off dry contact relay output to control an ozone generator or a fan
- ◆ Provide an analog output with a linear over full range output
- ◆ Provide RS485 interface to PC or other DDC
- ◆ Strong function, high performance, low price

□ Features

- ◆ Real time detect ambience ozone gas level
- ◆ Detect temperature and humidity at the same time
- ◆ Wall mounted with LCD display
- ◆ LCD can display ozone, temperature and humidity, also controlled device status etc.
- ◆ Ozone measured range: 10ppb~1000ppb;
Temperature range: 5~45°C; relative humidity range: 5 ~ 95%RH
- ◆ Japanese semiconductor sensor inside, high sensitivity to ozone gas
- ◆ Provide 1X relay dry-contact output for an ozone generator or a fan optional
- ◆ 1Xanalog output (0~10VCD/0~5VDC) to correspond with ozone level optional
- ◆ RS-485 communication interface, 15KV antistatic protection, independent base address setting

□ Buttons and LCD



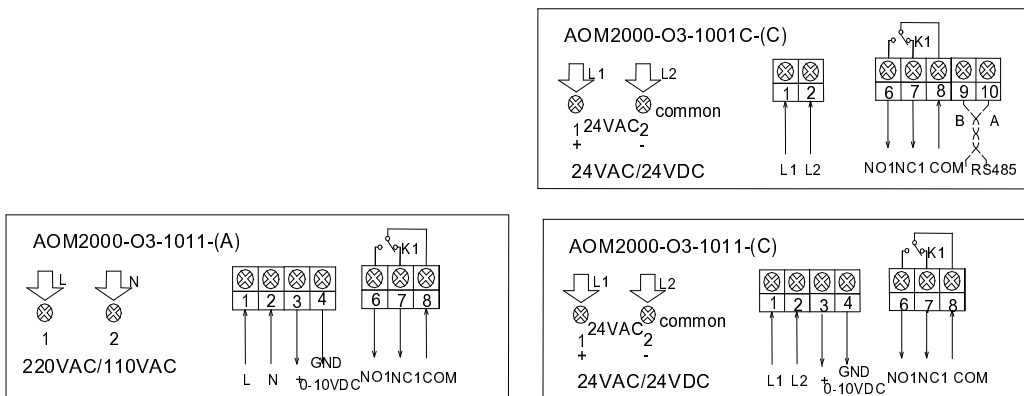
□ Specifications

Gas detected	Ozone gas
Sensing element	Japanese semiconductor gas sensor
Life time of ozone sensor	More than 5 years
Temperature sensor	NTC
Humidity sensor	HS series capacitive sensor
Power supply	24VAC/24VDC (220VAC/110VAC selectable in orders)
O3 measuring range	10ppb~1000ppb (0.01 ~ 1ppm)
Display resolution	1 ppb
O3 measuring precision	±10ppb + 20% reading
Temperature measurement /setting range	0 ~ 50°C(32 ~ 122°F)/ 5 ~ 45°C(41 ~ 113°F)

Humidity measurement/setting range	0 ~ 99%RH/ 5 ~ 95%RH
Warm up time	96 hours(first time) 1 hour(optional)
Analog output	0 ~ 10VDC linearized output
Output resolution	10Bit
Relay output	One dry contact output to control a ozone device or a ventilation device Rated switching current 2A(220VAC/30VDC), resistance load
Communication interface	RS-485, 9600/14400/19200(default)/28800 or 38400bps (programmable selection),15KV antistatic protection, 3 independent base address
Operation conditions	0 ~ 50°C/0 ~ 95%RH , non condensing
Storage conditions	-10 ~ 60°C/0 ~ 95%RH , non condensing
Net Weight	260g(24VAC) 300g(110VAC/220VAC)
Dimensions	120mm×90mm×24mm for 24VAC/DVC power supply 120mm×90mm×24mm+28.5mmbulge for 220VAC/110VAC power supply
Installment standard	65mm×65mm or 2"×4" wire box
Interface connections (Max.)	10 terminals
Wiring standard	Wire section area <1.5mm ²
Manufacturing process	ISO 9001

□ Models

Model	Characteristic
AOM2000-O3-1001-(A)/(B)(C)	Ozone monitor & controller with 1Xon/Off relay output (A): Power supply 220VAC~240VAC (B): Power supply 100VAC~120VAC (C): Power supply 24VAC/24VDC
AOM2000-O3-1011-(A)/(B)(C)	Ozone monitor & controller with 1Xon/Off relay output and 1X analog output
AOM2000-O3-1001C-(C)	Ozone monitor & controller with 1Xon/Off relay output, RS485 communication interface
AOM2000-O3-1011C-(C)	Ozone monitor & controller with 1Xon/Off relay output and 1X analog output. RS485 communication interface



□ Shipping Information

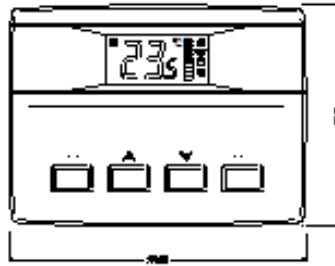
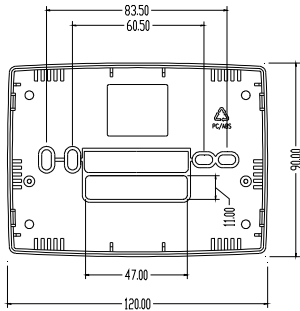
For 220/110VAC power supply

For 24VAC/VDC power supply

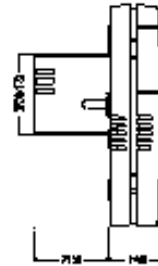
Indiv. Ctn. Dim	135mm×195mm×55mm
Master Ctn. Qty	40
Master Ctn. Dim	44cm(L) X 32cm(W) X 32cm(H)
Master Ctn. Wt.	15Kg

Indiv. Ctn. Dim	135mm×95mm×32mm
Master Ctn. Qty	80
Master Ctn. Dim	44cm(L) X 32cm(W) X 32cm(H)
Master Ctn. Wt.	24Kg

□ **Mounting**



220VAC/110VAC
Power Supply



24VAC/24VDC
Power Supply

